

## The new ZMorph VX Multitool 3D Printer

ZMorph VX is the most versatile and the most practical multitool 3D printer that you can put on a desk. With three different fabrication methods and dozens of available materials, ZMorph is designed to be your workhorse, versatile object making machine and a problem solver.

## THE ZMORPH VX FULL SET HAS A TOOL FOR EVERY PROJECT

The ZMorph VX Full Set's swappable toolhead system is what truly makes it a multitool machine. With only one screw to manipulate in order to change toolheads, this machine can go from being a 3D printer to a CNC mill, or laser engraver. Each toolhead also features quick disconnect cables for the electronic components, which allows switching between different toolheads to be a smooth and simple process. Swap between 5 different toolheads including:

- 1.75mm Single Extrusion 3D Printing Toolhead for basic 3D printing with standard materials
- Compatible materials include PLA, ABS, PET-G, Nylon, HIPS, ASA, PMMA, TPE, PC, PC/ABS, PP, PVA, and ASAX
- 1.75mm Dual Extrusion 3D Printing Toolhead with Mixer hotend for high-quality, two-material 3D printing
- CNC Pro Milling Toolhead for subtractive manufacturing
- Laser Pro Toolhead for laser engraving and simple cutting

Thick Paste Extruder Toolhead for 2D and 3D decorating with thicker paste-like materials such as chocolate, cream cheese, frosting, ceramic, clay, silicone, and more.

### CNC Milling

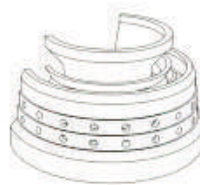


**Insulating Washer**

Material: PTFE

CNC PRO Toolhead

### 3D Printing



**Combustion Lining**

Material: PLA

1.75 mm Plastic Extruder

### Laser Engraving



**PCB**

Material: FR4 CCL

Laser PRO Toolhead

## Introducing Laser PRO Toolhead for ZMorph Multitool 3D Printer

We just released a new interchangeable Laser PRO toolhead which is more compact, more powerful, faster, and safer to use. It's a perfect fit for your workshop!



### Expand your workshop with laser

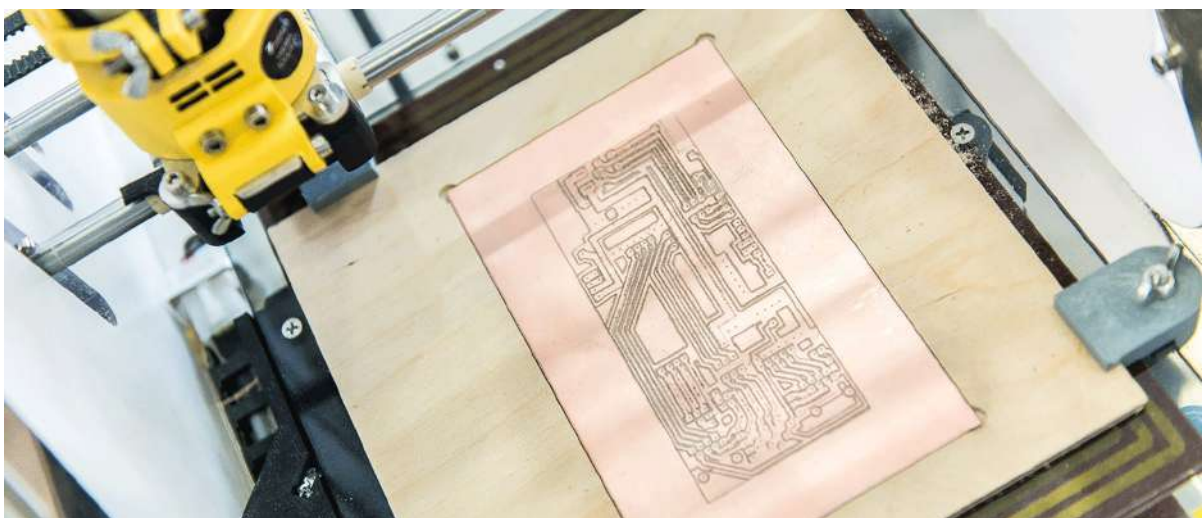
Laser PRO toolhead is equipped with a 2.8W blue laser diode. It's 50% more powerful than the previous model and can work twice as fast, achieve a higher level of detail and less overburns. It cuts and engraves in materials like plywood, various types of wood, adhesive foils, cardboard, leather, acrylic glass, and others.



## CNC-cut PCB Prototype

we had to 3D print small clamps with ABS plastic to hold the prototype PCB board inside the CNC-carved wooden mold. We used a classic 1.75 mm Plastic Extruder for that. In the meantime, the PCB board model was created in CAD software and imported into Voxelizer and prepared for 3D milling. After switching ZMorph's toolhead to the CNC PRO everything was ready to go.

PCB boards manufacturing is a very precise procedure. This is why different types of drills were used for better 3D milling accuracy of various parts of the PCB plate. Thin and cylindrical for holes, cone shaped and sharp for paths and flat for milling out bigger fields. The high quality of the final results proved that ZMorph 2.0 S multitool 3D printer is just perfect for this type of prototyping.



## Leather: Laser Engraving & Cutting

Laser beam machining leather opens a lot of low volume manufacturing possibilities. You can create various beautiful leather goods using the Laser PRO toolhead on ZMorph VX.



This tough and durable material is very versatile and can be used for various leather goods like purses, wallets, cases or belts. Both artificial and genuine leather can be laser cut or engraved.

## Cardboard & Paper: Laser Engraving & Cutting

Popular materials like cardboard and paper can unleash your creativity while working with ZMorph VX. The Laser PRO toolhead opens up affordable possibilities of signage, art and customization.



### Cardboard & Paper for Laser Cutting and Engraving

You can get really creative with paper or cardboard and Laser PRO toolhead equipped on ZMorph VX. They are really cheap and can be used in numerous ways. More on that later.

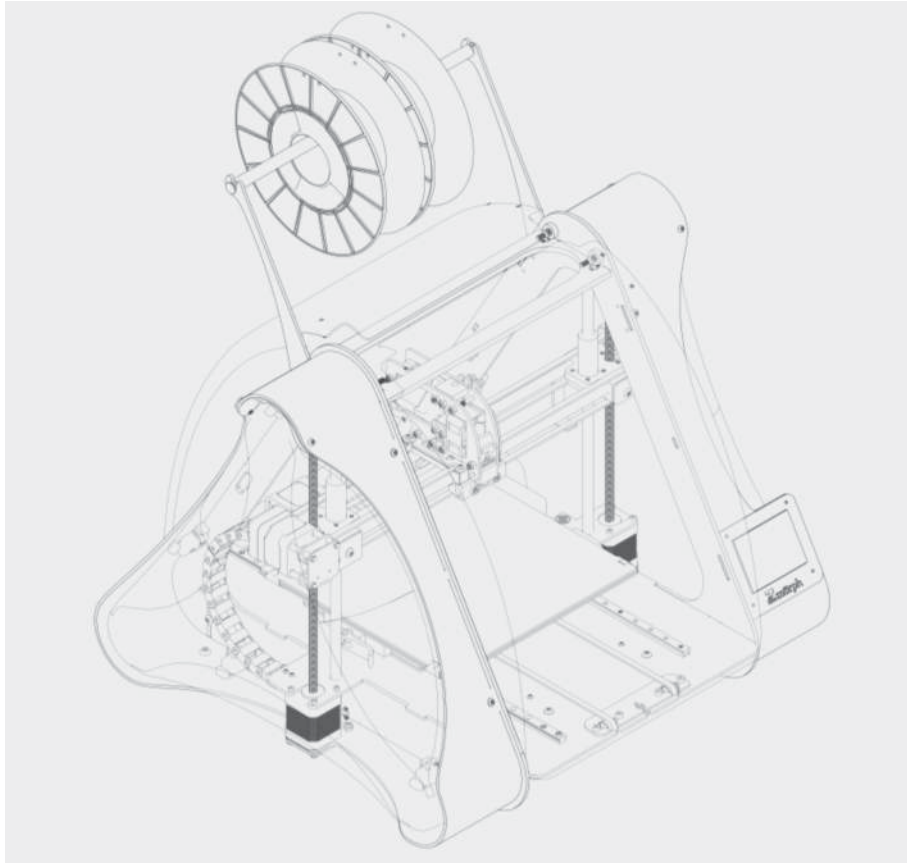


# The all-in-one software. Meet the new Voxelizer.

ZMorph's original Voxelizer software is the intelligence behind the machine. It allows you to control all fabrications methods of the ZMorph VX and gives you access to the most advanced 3D printing capabilities.

Optimize your models with 3D filters. Make unprintable things printable with smart support structures. Create stunning prints with advanced multi-material algorithms, like image mapping. All thanks to voxelization process –that extra mile our software goes to give you and your ZMorph outstanding possibilities.





## ZMorph VX Multitool 3D Printer

Multifunctional environment with dedicated software ready to be the center of manufacturing companies, science labs, FabLabs, and academic institutions.

[www.novabeans.com](http://www.novabeans.com)



For more information  
Visit: [www.novabeans.com](http://www.novabeans.com)  
Email: [info@novabeans.com](mailto:info@novabeans.com)