



imaginarium

# INTRODUCING FOODINI

---



## FOODINI, A 3D FOOD PRINTER

The first smart kitchen appliance speeding up the process of making food with fresh ingredients: all via a next generation 3D food printer and IoT kitchen appliance.

We believe that people in the world would be healthier if everybody eats freshly made wholesome meals and snacks. We want to make it easier and faster for everyone to create fresh, healthy foods made with real ingredients. As such, we are creating a new generation kitchen appliance. We call our first product Foodini: the first 3D food printer contributing to a healthy eating lifestyle.



Fresh food



Capsules



Foodini

The premise of all 3D printers is that you become the manufacturer, you are the maker. The same concept applies with Foodini: you become the manufacturer, and you control what ingredients go into your foods. Foodini works with food capsules that people can fill with their own ingredients or, in the future, can acquire from food retailers and brands.

People are never forced to buy pre-filled food capsules. Foodini ships with empty stainless steel food capsules, and people can print with fresh, real ingredients, having total freedom and control over foods printed and in what form. We know there is a part of the market that has a demand for pre-filled food capsules, so that will be an option in the future. But it will always be an option, never required.



**Company name:** Natural Machines (est. 2012)  
**Product name:** Foodini  
**Category - tech:** 3D Printers; IoT (Internet of Things)  
**Category - household:** Kitchen Appliance  
**Installation:** Comes fully assembled; plug & play  
**Connection:** WiFi Connected Appliance (connected to the internet)  
**Food Capsules:** 5

## ADVANTAGES

---

*Create fascinating food designs*  
*Automate food preparation tasks*  
*Present food in extraordinary ways*  
*Customize dishes to amaze customers*  
*Use IoT data to track food printing statistics*  
*Foodini takes over hard/repetitive food prep tasks*  
*Cleaner food forming - no messy hands*  
*Don't rely on prepackaged food, make your own*  
*Encourage kids to eat healthier*

### How long does it take?

No one is going to wait hours for dinner, so Foodini has to be fast.

Print times depend on the ingredients, the recipe, and quantity you are printing. Some things print very fast in a matter of minutes (e.g., flatter type foods like crackers, simple plate decorations), while other things take longer times (e.g., intricate chocolate sculptures can take 20 minutes to print.)

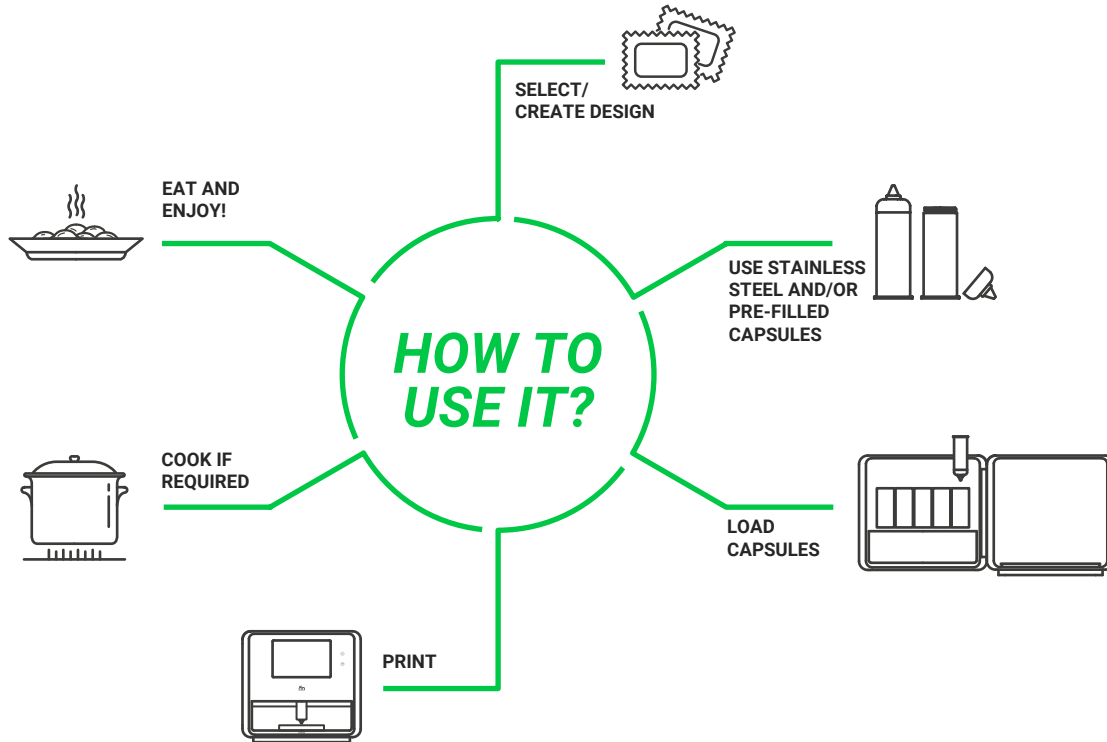
Some estimates:

≈ 20 Seconds	Crackers
1 ≈ 10 Seconds	Decoration of dishes
≈ 2 Minutes	Bread
3 ≈ 10 Minutes	Cookies
≈ 5 Minutes	Geometric shapes
5 ≈ 7 Minutes	Quiche shapes
7 ≈ 20 Minutes	Pasta
10 Minutes	Burgers, nuggets or pizza
10 ≈ 15 Minutes	Cakes
10 ≈ 30 Minutes	Any kind of chocolate figures



## HOW IT WORKS

---



# CREATOR

---

## Foodini Creator

Foodini Creator is our easy-to-use print application which comes pre-loaded on Foodini. Use the shape libraries to start designs and recipes, or create them from scratch with Foodini Creator tools.



### Customize with text

Print messages and add a personal touch to prints



### Import images

Use any image download from the internet or create it in the device



### Onboard camera

Use the onboard camera to take a picture of a design to print



### Create shapes

Flatter 2D or taller 3D shapes



# FOODINI SPECIFICATIONS

## 3/ Weight

20 kg  
44 lbs 10z

## 4/ 10" Interactive display

## 5/ Up to 5 capsules, autoexchange

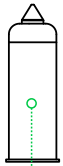
## 6/ Rotating base, tray diameter

27,5 cm  
10.82 in

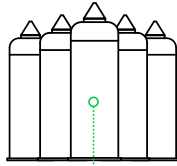
## 7/ Capsule bay heater max temp

80 °C  
176 °F

## 8/ Capsule volume



**Each capsule**  
100 ml  
3.38 oz

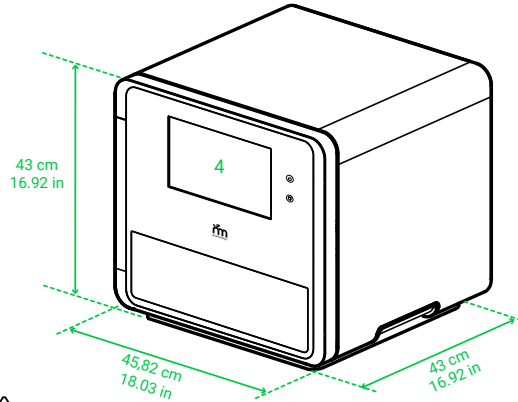


**5 capsules in total**  
500 ml  
16.9 oz

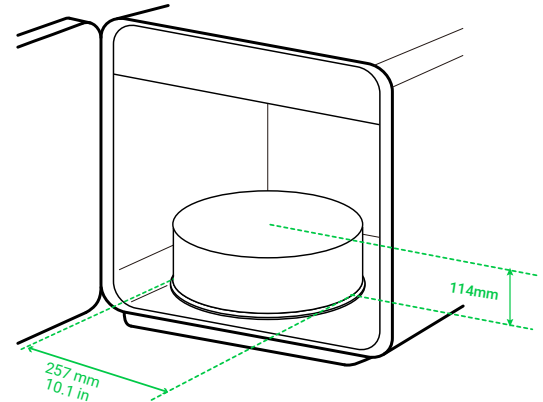
## 9/ Power supply 110V – 220V

## 10/ Max power consumption: 300W

## 1/ Foodini dimensions



## 2/ Printing volume, maximum



- Powered by Android
- Connected to Internet through WiFi (not necessary for all operation modes)
- Multiple user profiles possible in every device
- Standard warranty: consumer use 2 years, professional use 1 year. Extensions available.
- Very easy to clean: Only capsules and dish in contact with food
- No maintenance required
- Remote assistance possible through embedded cameras
- Possible to post videos and pictures of prints on social networks directly from the device.

## FOODINI ACCESSORY BOX CONTENTS: INCLUDED WITH EVERY FOODINI

